

CAST STEEL GLOBE VALVE CLASS 300

FIGURES : 212, 212B



DESIGN PDESCRIPTION:

Bolted Bonnet
Outside Screw and Yoke
Rising Stem and Handwheel
(8" and Larger are Hammer-Blow Handwheel)
Yoke Integral with Bonnet
Renewable Seat Ring. Loose Disc
Available with By-pass
Flanged Ends (Fig.212)
Buttwelding Ends (Fig.212B)

APPLICABLE CLASS 150 STANDARDS:

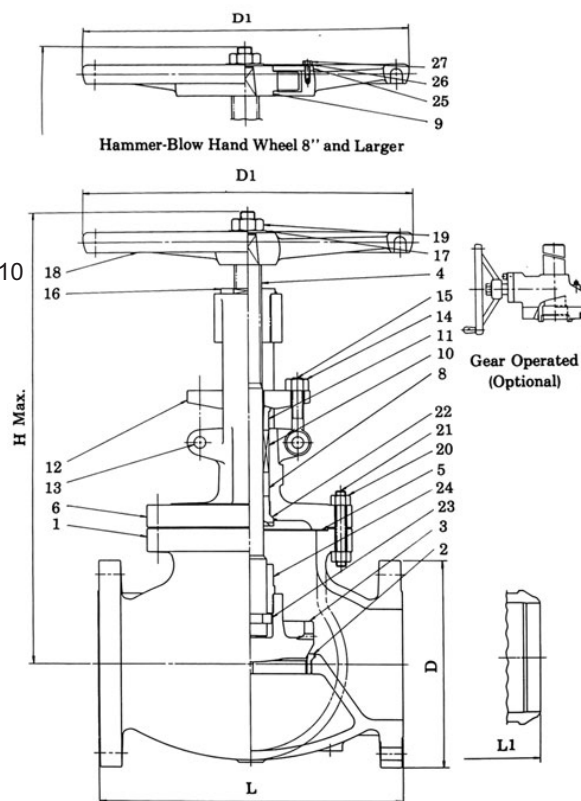
Steel Vales, ANSI B16.34
Face to Face, End to End, ANSI B16.10
End Flanges, ANSI B16.5
Weld Ends, ANSI B16.25
TEST PRESSURE:
Shell (by Water), 1125 psig
Seat (by Water), 815 psig
(by Air), 60 - 100 psig



PARTS AND MATERIAL LIST

Part No.	Parts Name	Materials
1	Body	ASTM A216-WCB
2	Seat Ring	ASTM A182-F6/A276-410+H/F STL#6
3	Disc (5" and larger) (1 1/2" to 4")	ASTM A216-WCB+H/F410 ASTM A276-410
4	Stem	ASTM A182-F6/A276-410
5	Gasket	Soft Iron/GRAFOIL+316 SHEET
6	Bonnet	ASTM A216-WCB
8	Packing Ring	ASTM A276-410
9	Pounding Receiver	ASTM A536 (65-45-12)
10	Gland Packing	GARLOCK 127 AFP OR EQU.
11	Gland	MPIF35-304N2-33 / ASTM A276-410
12	Gland Flange	ASTM A216-WCB/A181
13	Eye Bolt Pin	ASTM A36
14	Eye Bolt Nut	ASTM A194-2H
15	Eye Bolt	ASTM A307-B
16	Stem Nut	ASTM A439-D2
17	Washer	ASTM A36
18	Hand Wheel	ASTM A536 (65-45-12)
19	Hand Wheel Nut	ASTM A36
20	Bonnet Bolt Nut	ASTM A194-2H
21	Bonnet Bolt	ASTM A193-B7
22	Bonnet Bush	ASTM A276-410
23	Stem Washer	ASTM A276-410
24	Disc Nut	ASTM A276-410
25	Pounding Receiver Cover	ASTM A36
26	Washer	ASTM A36
27	Hx.Bolt	ASTM A307-B

FIGURES : 212



DIMENSIONS IN INCHES:

SIZE	1 1/2	2	2 1/2	3	4	5	6	8	10	12	14
D	6 1/8	6 1/2	7 1/2	8 1/4	10	11	12 1/2	15	17 1/2	20 1/2	23
L	9	10 1/2	11 1/2	12 1/2	14	15 3/4	17 1/2	22	24 1/2	28	33
L1	9	10 1/2	11 1/2	12 1/2	14	15 3/4	17 1/2	22	24 1/2	28	33
H (OPEN)	15	16 43/64	17 17/32	19	22 25/32	27 5/32	30 11/32	36	40 39/64	47 3/12	52
H (CLOSE)	14 7/32	15 57/64	16 19/32	17 15/16	21 5/16	25 15/32	28 13/32	33 3/8	37 3/16	43 7/32	47 1/3
D1	8	10	10	12	14	14	18	24	24	27	30
wt.(212),lbs	61	75	99	130	203	293	421	714	1014	1499	-
wt.(212B),lbs.	-	-	-	-	-	-	-	-	-	-	-

NOTE: JINN LUNG RESERVES THE RIGHT TO CHANGE DESIGNS, MATERIALS OR SPECIFICATIONS WITHOUT NOTICE

