

# Air Vents

## SERIES AT, AD, AW

MIYAWAKI **Air vents** are used to remove air and gases from pipelines for steam and liquids, boilers and other special equipment.

MIYAWAKI offers a wide range of thermostatic air vent. They ensure the efficiency of the system by removing the air and gases accumulated during operation and system downtime.

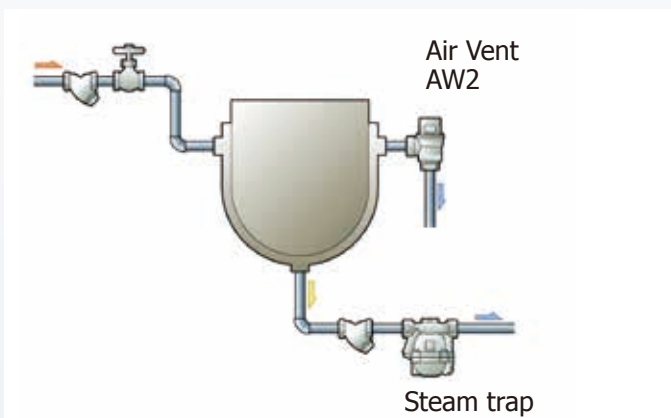
Air vents must be installed at the highest point of the equipment/ system section to be vented.

### Models

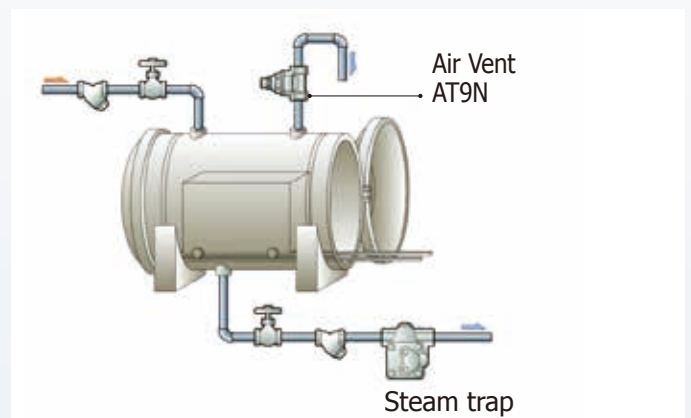
- AW** Thermostatic air vents made of brass
- AT7N, AT9N** Forged steel, with bimetal and with the ability to adjust the temperature of the exhaust gas-air mixture for equipment with low and medium pressure
- ADC1, ADL1** Stainless steel thermostatic air vents
- AT51** Forged steel, with the ability to adjust the temperature of the exhaust gas mixture for high pressure equipment

### Installation Example

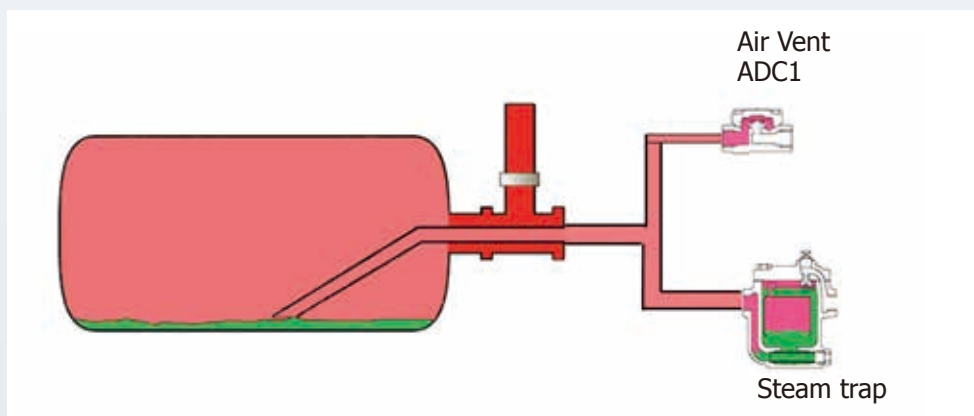
Open boiler



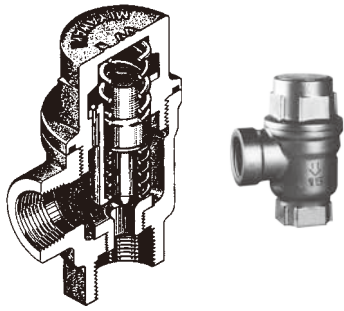
Autoclave



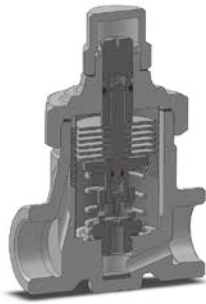
Drum dryer



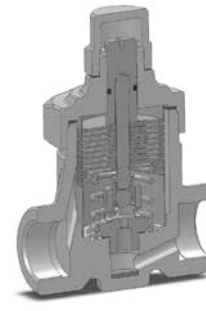
# AW2



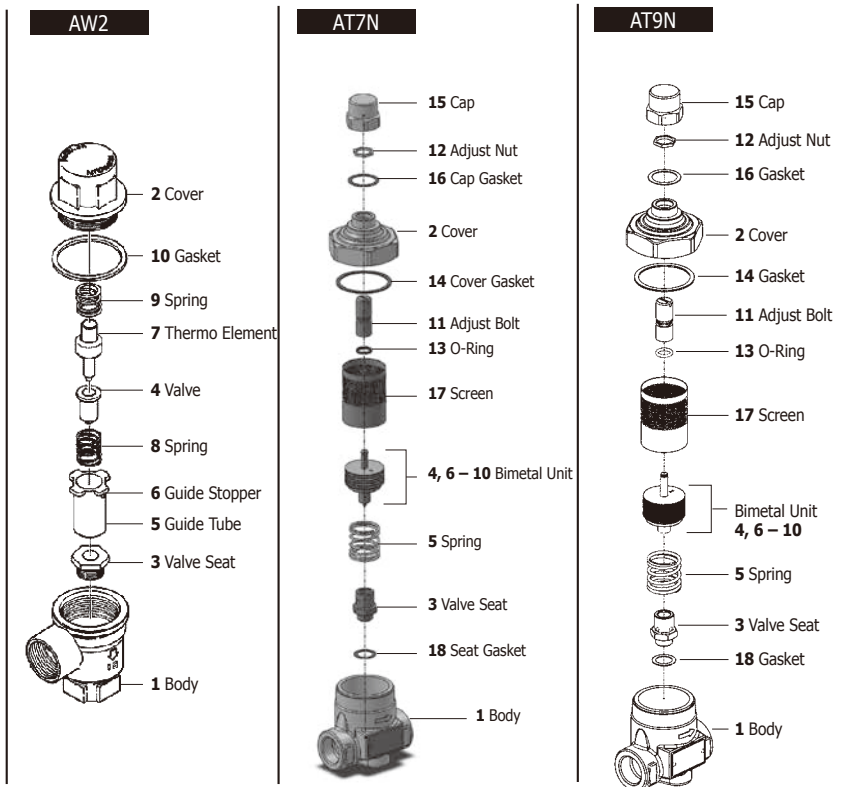
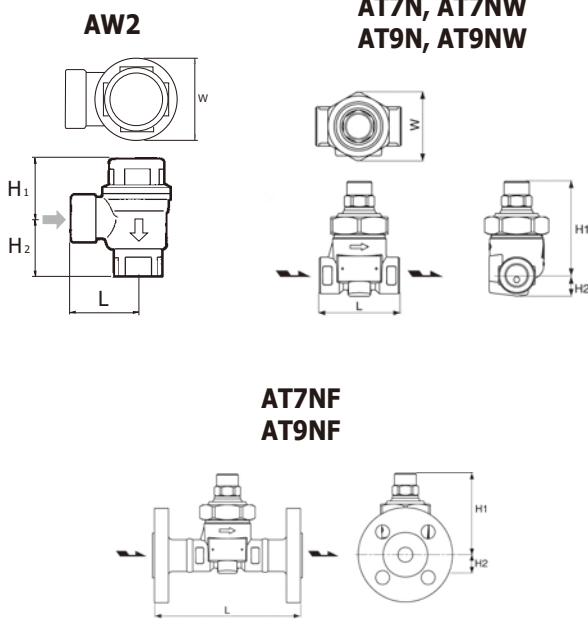
# AT7N



# AT9N



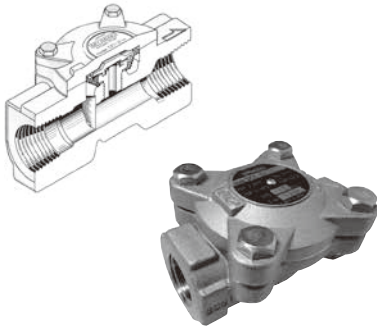
## Dimensions



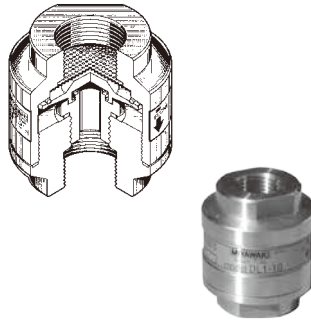
Model	Connections	Size	Max. Operating Pressure		Max. Operating Temperature		Dimensions (mm)				Dimensions (in)				Body Material	Weight	
			MPa	psig	°C	°F	L	H1	H2	W	L	H1	H2	W		kg	lb
AW2-5	Screwed Rc, NPT	1/2"	0,5	73	160	320	35	42	35	41	1.4	1.7	1.4	1.6	Brass C3771	0,4	1.0
		3/4"					41	41	1.6	1.6	0,5	1.1					
AT7N	Screwed Rc, NPT	1/2"	2,1	305	350	662	70		18		2.75		0.7		Forged Steel A105	0,9	2.0
		3/4"					80	82	19	56	3.1	3.2	0.75	2.2		1,0	2.2
		1"							23			0.9		1,1		2.4	
AT7NW	Socket Weld JIS, ASME, DIN	1/2"	2,1	305	350	662	70		18		2.75		0.7		Forged Steel A105	0,9	2.0
		3/4"					80	82	19	56	3.1	3.2	0.75	2.2		1,0	2.2
		1"							23			0.9		1,1		2.4	
AT7NF	Flanged JIS, ASME, DIN	1/2"	2,1	305	350	662	145*	82	18		5.7*	3.2	0.7		Forged Steel A105	2,6	5.7
		3/4"							19	56	3.2	0.75	2.2	3,4		7.5	
		1"							23		0.9		4,0	8.8			
AT9N	Screwed Rc, NPT	1/2"	1,6	230	350	662	70		18		2.75		0.7		Forged Steel A105	0,9	2.0
		3/4"					80	82	19	56	3.1	3.2	0.75	2.2		1,0	2.2
		1"							23			0.9		1,1		2.4	
AT9NW	Socket Weld JIS, ASME, DIN	1/2"	1,6	230	350	662	70		18		2.75		0.7		Forged Steel A105	0,9	2.0
		3/4"					80	82	19	56	3.1	3.2	0.75	2.2		1,0	2.2
		1"							23			0.9		1,1		2.4	
AT9NF	Flanged JIS, ASME, DIN	1/2"	1,6	230	350	662	145*	82	18		5.7*	3.2	0.7		Forged Steel A105	2,6	5.7
		3/4"							19	56	3.2	0.75	2.2	3,4		7.5	
		1"							23		0.9		4,0	8.8			

\*On request also available with different face-to-face length

# ADC1

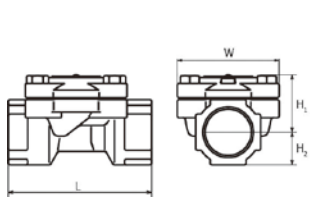


# ADL1

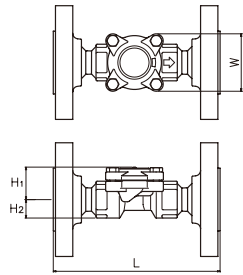


## Dimensions

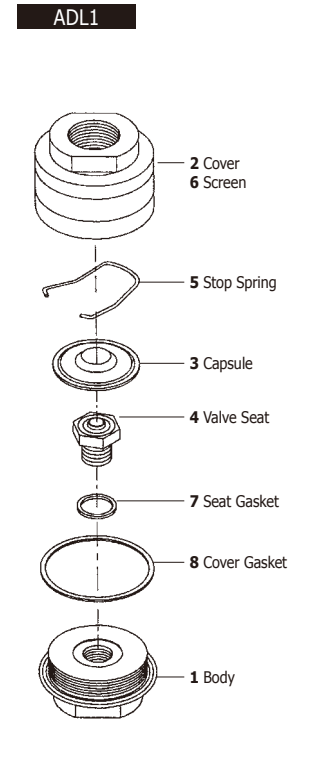
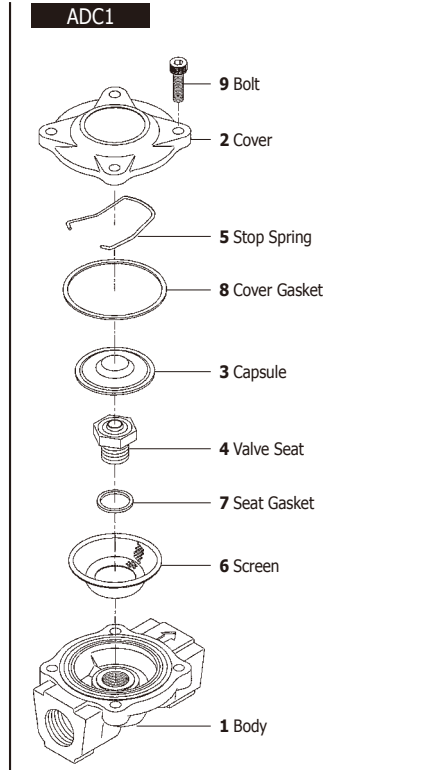
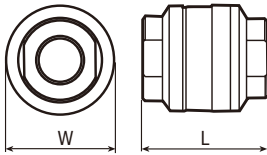
### ADC1



### ADC1-F

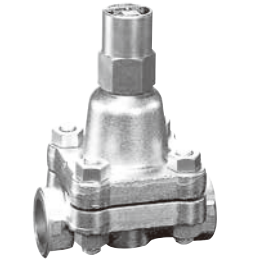
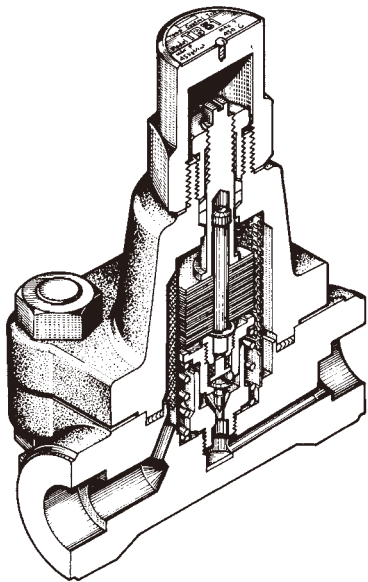


### ADL1



Model	Connections	Size	Max. Operating Pressure		Max. Operating Temperature		Dimensions (mm)				Dimensions (in)				Body Material	Weight	
			MPa	psig	°C	°F	L	H <sub>1</sub>	H <sub>2</sub>	W	L	H <sub>1</sub>	H <sub>2</sub>	W		kg	lb
<b>ADC1-21H</b> <b>ADC1-21L</b>	Screwed Rc, NPT	1/4", 3/8"	2,1	305	220	428	65	29	11	53	2.6	1.1	0.4	2.1	Stainless Steel SCS13A	0,4	0.9
		1/2", 3/4"					75	31	17		3.0	1.2	0.7			0,5	1.1
1"	80	34					21	3.1	1.3		0.8	1,3	2.9				
<b>ADC1-21HF</b> <b>ADC1-21LF</b>	Flanged JIS, ASME, DIN	1/2"					150	31	17		5.9	1.2	0.7			2,2	4.9
		3/4"					160	34	21		6.3	1.3	0.8			3,1	6.8
<b>ADL1-21H</b> <b>ADL1-21L</b>	Screwed Rc, NPT	1/4"	2,1	305	220	428	60	48	2.4	1.9	Stainless Steel SCS13	0,7	1.5				
		3/8"															
		1/2"															
		3/4"															
<b>ADL1-10C</b>	Screwed Rc, NPT	1"	1,0	145	220	428	60	48	2.4	1.9	Stainless Steel SCS13	0,7	1.5				
		1/4"															
		3/8"															
		1/2"															

# AT51

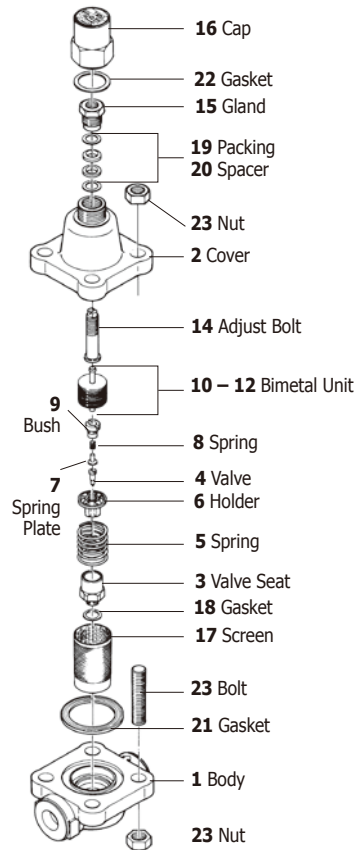


**Screwed & Socket Weld**



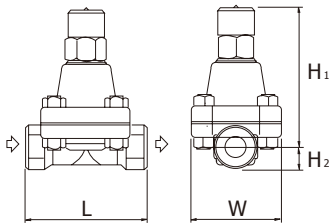
**Flanged**

**AT51**

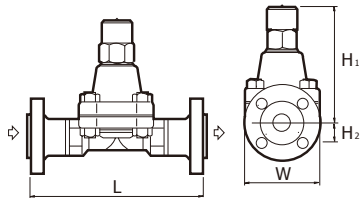


**Dimensions**

**AT51 / AT51W**



**AT51F**



**Table 1: Face-to-face dimensions / weights**

Model	Size (in)	ASME 600 lb				DIN PN63 / PN100				JIS 63 K / ASME 900 lb			
		mm	in	kg	lb	mm	in	kg	lb	mm	in	kg	lb
<b>AT51F</b>	1/2"	200	7.9	7,3	16.1	210	8.3	9,4	20.7	220	8.7	9,6	21.2
	3/4"	210	8.3	8,5	18.7	230	9.1	11,4	25.1	230	9.1	11,1	24.5
	1"	240	9.4	9,6	21.2	230	9.1	12,5	27.6	240	9.4	12,1	26.7

Model	Connections	Size	Max. Operating Pressure		Max. Operating Temperature		Dimensions (mm)				Dimensions (in)				Body Material	Weight	
			MPa	psig	°C	°F	L	H <sub>1</sub>	H <sub>2</sub>	W	L	H <sub>1</sub>	H <sub>2</sub>	W		kg	lb
<b>AT51</b>	Screwed Rc, NPT	1/2" - 1"	4,5	653	425	800	130	155	25	100	5.1	6.1	1.0	3.9	Forged Steel A105	5,7	12.6
			6,5	943													
<b>AT51W</b>	Socket Weld JIS, ASME, DIN	1/2" - 1"	4,5	653													
			6,5	943													
<b>AT51F</b>	Flanged JIS, ASME, DIN	1/2" - 1"	4,5	653													
			6,5	943													